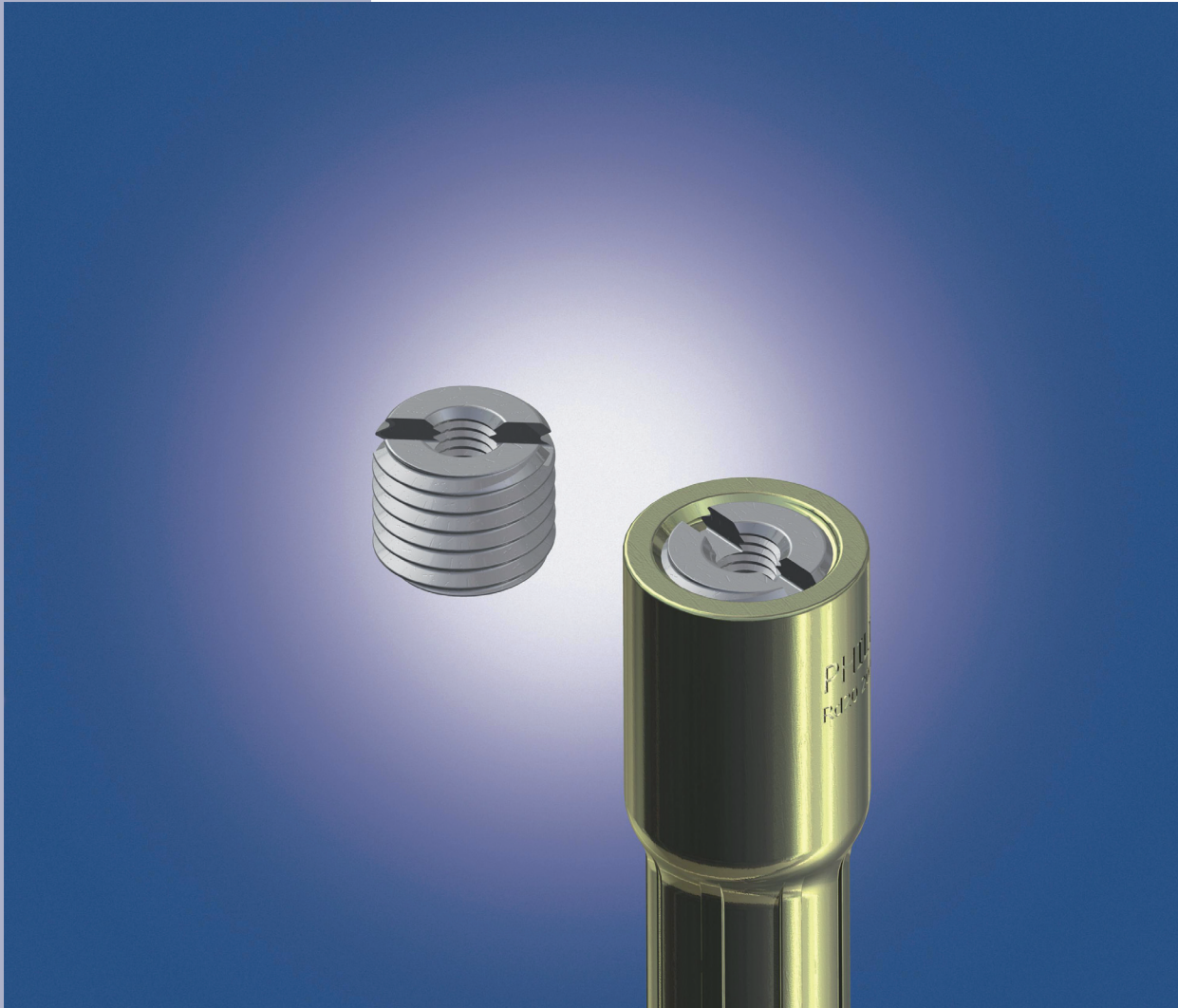




PHILIPP Threaded Adapter with Inner Thread

Data Sheet

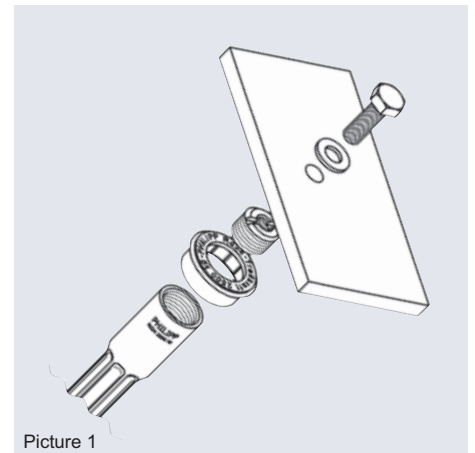


DATA SHEET OF PHILIPP THREADED ADAPTER WITH INNER THREAD

The **PHILIPP Threaded Adapter** is used to fix **PHILIPP Threaded Anchors** or **PHILIPP Threaded Inserts** onto a timber or steel mould (Picture 1). The application of **PHILIPP Threaded Adapter** ensures a safe hold and an installation of the anchor flush with the surface.

After screwing out the threaded adapter, the **PHILIPP Lifting Loop** and **PHILIPP Wirbelstar** can be used as lifting device.

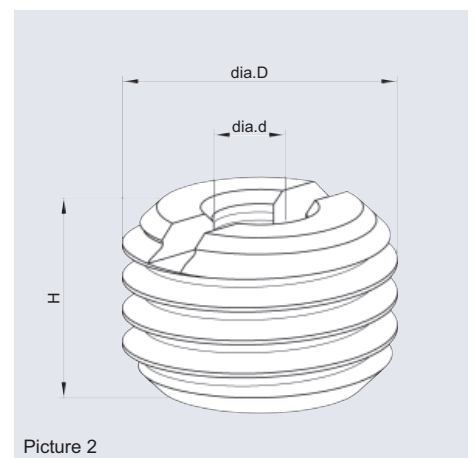
The **PHILIPP Threaded Adapter** has a slot on the front face to unscrew the tool out of the anchor (Picture 2).



Picture 1

Table 1: Dimensions of the PHILIPP Threaded Adapter

| Art.-Nr. | dia.D [mm] | dia.d [mm] | H [mm] | PU [pcs.] | Weight [kg/ 100 pcs.] |
|-----------|------------|------------|--------|-----------|-----------------------|
| 72GST1206 | M12 | M6 | 16 | 1 | 1.0 |
| 72GST1406 | M14 | M6 | 16 | 1 | 2.0 |
| 72GST1608 | M16 | M8 | 16 | 1 | 2.0 |
| 72GST1808 | M18 | M8 | 16 | 1 | 3.0 |
| 72GST2008 | M20 | M8 | 16 | 1 | 3.0 |
| 72GST2410 | M24 | M10 | 16 | 1 | 5.0 |
| 72GST3010 | M30 | M10 | 16 | 1 | 8.0 |
| 72GST3610 | M36 | M10 | 16 | 1 | 11.0 |
| 72GST4210 | M42 | M10 | 16 | 1 | 16.0 |
| 72GST5210 | M52 | M10 | 16 | 1 | 25.0 |



Picture 2

Version: Steel