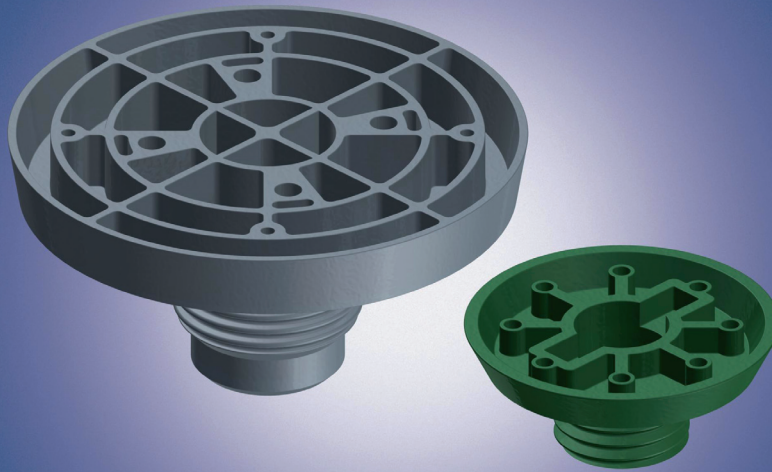




PHILIPP Nailing Plate

Data Sheet



DATA SHEET OF PHILIPP NAILING PLATE

The **PHILIPP Nailing Plates** are used to fix **PHILIPP Threaded Transport Anchors**, **PHILIPP Threaded Insert** and **PHILIPP Lifting Insert** onto the mould. Thereto nails are broken through the indicated nail holes (Picture 1). Finally, the **PHILIPP Threaded Transport Anchor** can be turned on. The **PHILIPP Nailing Plate** can also be glued on the mould (Picture 2).

The **PHILIPP Nailing Plate Standard** (Table 1) can be combined with the lifting devices **PHILIPP Lifty** and **PHILIPP Lifting Loop with Threaded End**. For the use of **PHILIPP Wirbelstar** the **PHILIPP Recess Formers** made from steel (separate data sheet) are recommended. These recess formers are also available as plastic version for the sizes Rd36 to Rd52 (Table 2).

The recesses of **PHILIPP Nailing Plates** can be sealed with caps made from stainless steel. These are aligned with the dimensions of the nailing plate. Depending on the customer request the sealing caps are available with slot or internal hexagon.

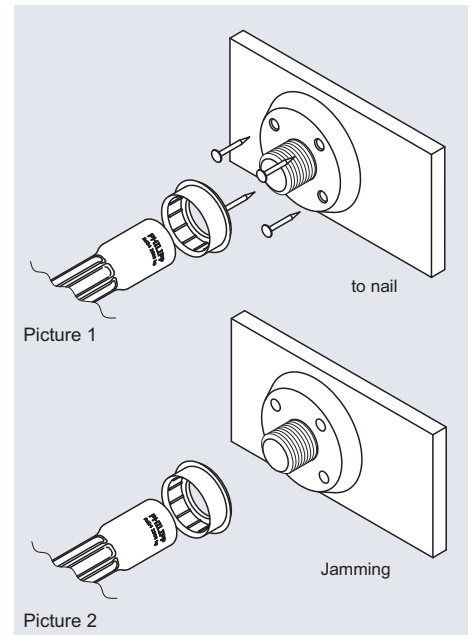


Table 1: Dimensions of PHILIPP Nailing Plate (Standard)

Art.-No.	Type [M/RD]	dia.D [mm]	dia.d [mm]	H [mm]	h [mm]	Colour Code	PU [pcs.]
72KHN10	10	40	30	20	10	Light blue	100
72KHN12	12	40	30	20	10	Pastel orange	100
72KHN14	14	40	30	20	10	Pure white	100
72KHN16	16	40	30	20	10	Flame red	100
72KHN18	18	55	45	25	10	Telemagenta	100
72KHN20	20	55	45	25	10	Pastell green	100
72KHN24	24	55	45	25	10	Anthracite grey	100
72KHN30	30	70	60	30	10	Emerald green	100
72KHN36	36	70	60	30	10	Light blue	100
72KHN42	42	96	86	35	12	Silver grey	50
72KHN52	52	96	86	35	12	Sulfur yellow	50

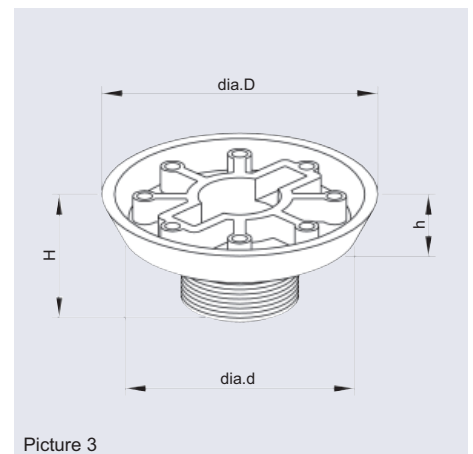


Table 2: For Combination with PHILIPP Wirbelstar

Art.-No.	Type [M/RD]	dia.D [mm]	dia.d [mm]	H [mm]	h [mm]	Colour Code	PU [pcs.]
72KHN36WS	36	106	102	55	12	Light blue	1
72KHN42WS	42	115	110	56	15	Silver grey	1
72KHN52WS	52	135	129	62	16	Sulfur yellow	1

